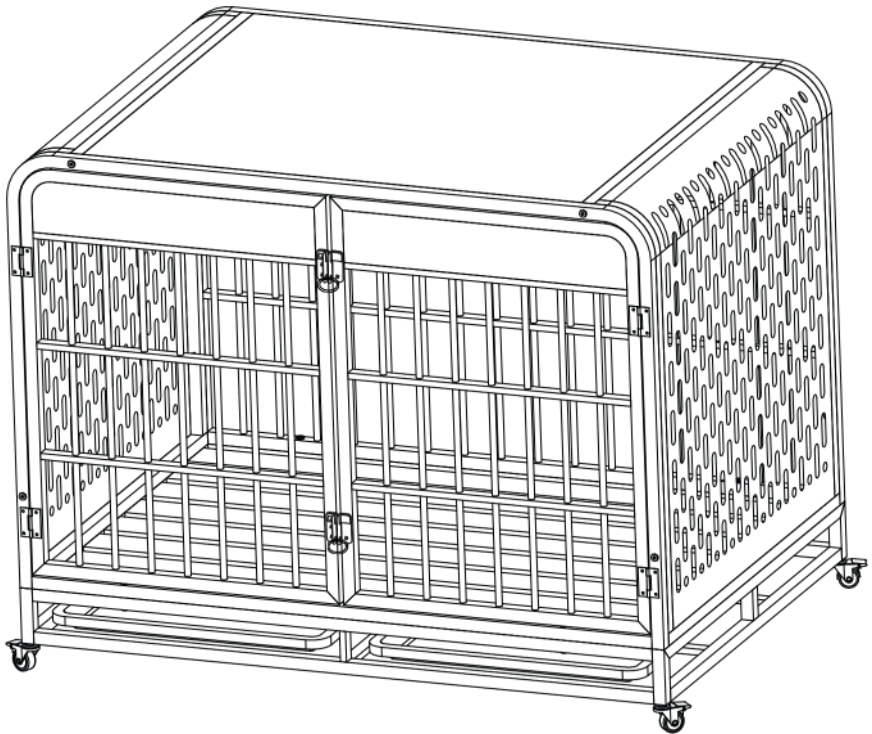
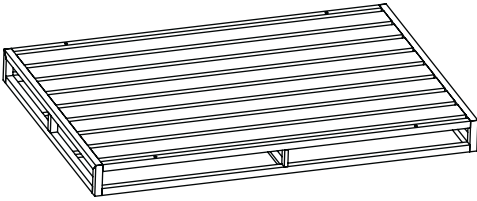

Instruction Manual

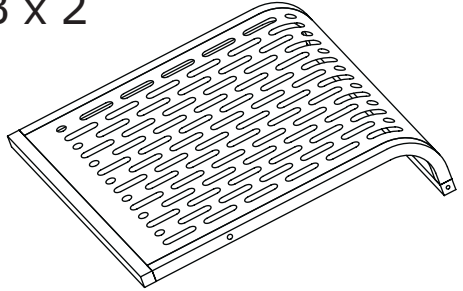


Parts List

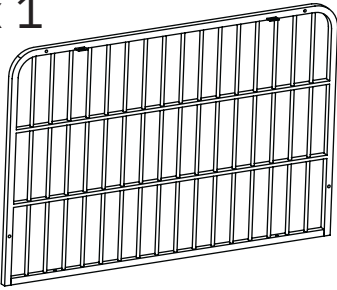
A x 1



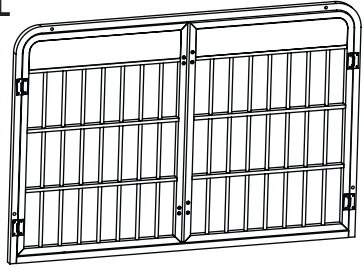
B x 2



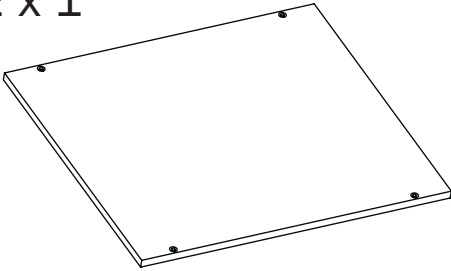
C x 1



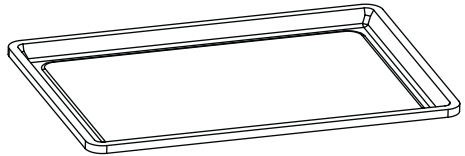
D x 1



E x 1



F x 2



Accessory

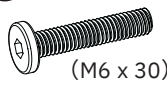
① x 12



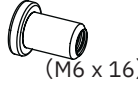
② x 4



③ x 8



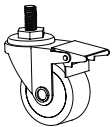
④ x 8



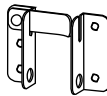
⑤ x 4



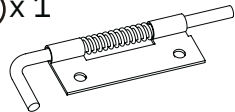
⑥ x 4



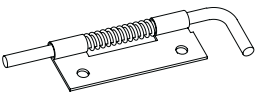
⑦ x 2



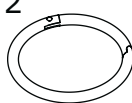
⑧ x 1



⑨ x 1



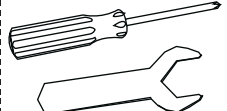
⑩ x 2



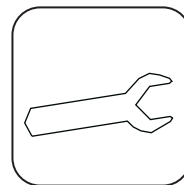
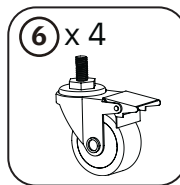
TOOLS



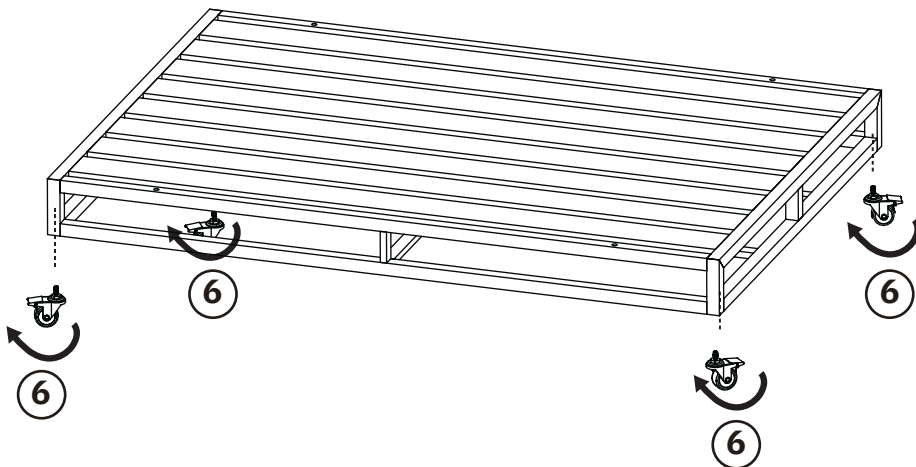
x 2



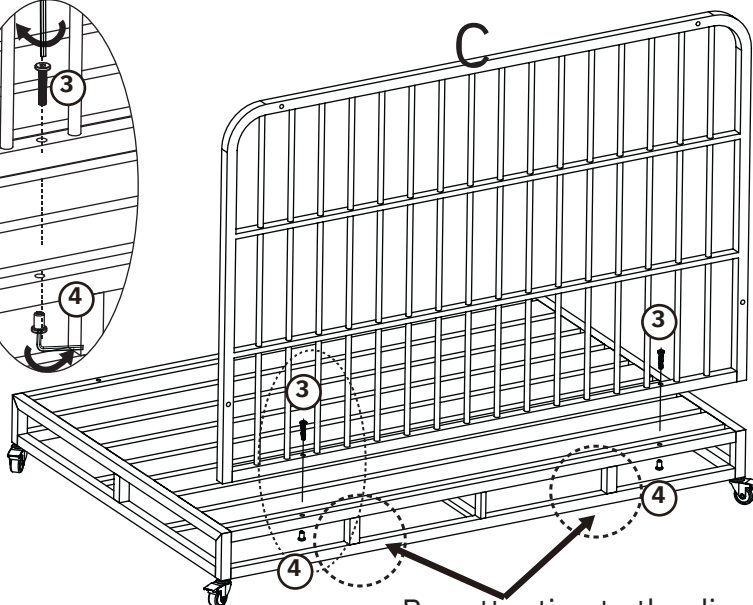
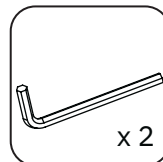
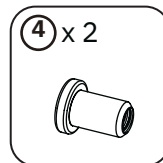
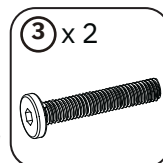
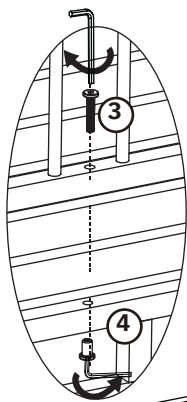
Step 1



A

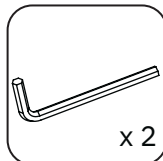
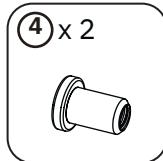
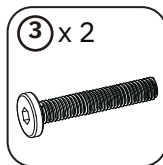
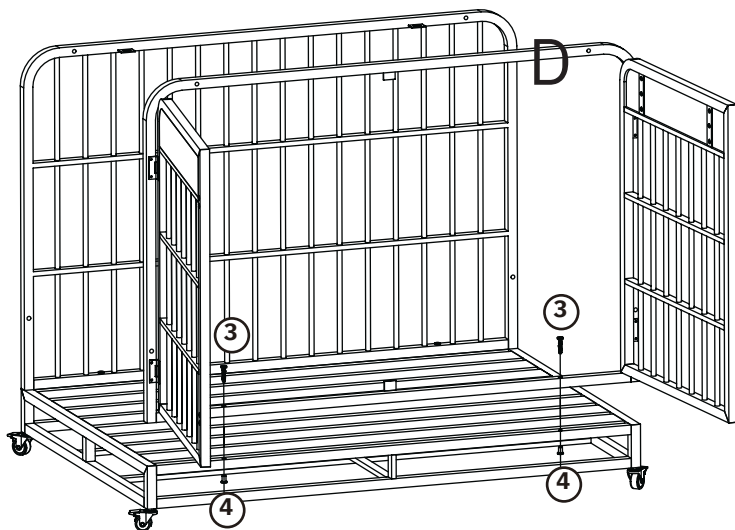


Step 2

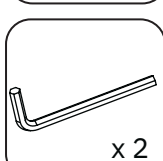
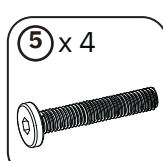
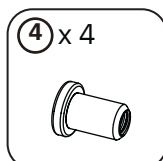
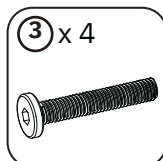
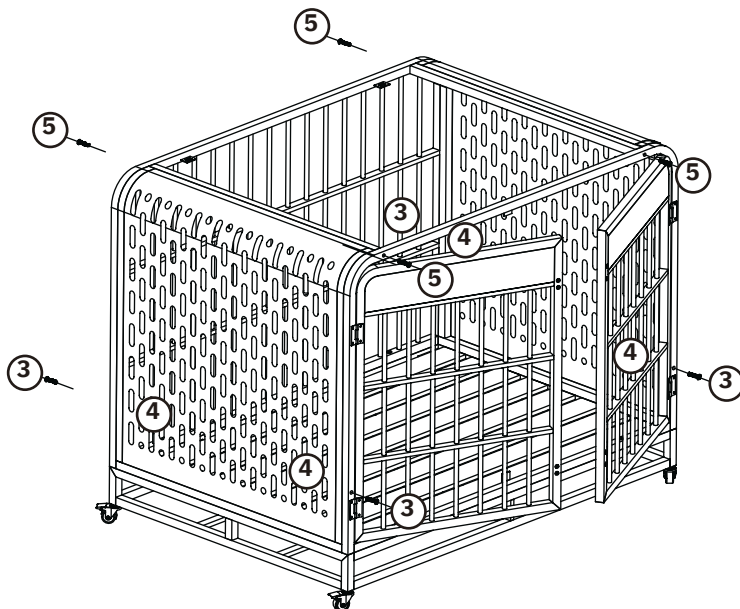


Pay attention to the direction of A

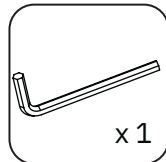
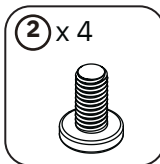
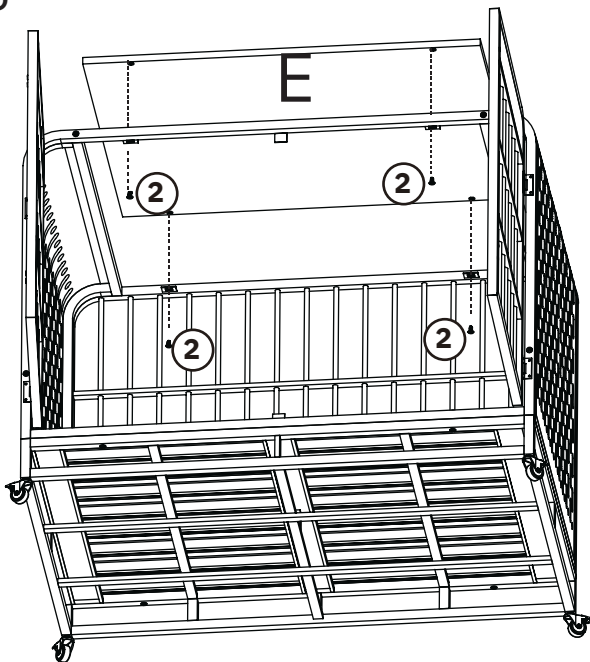
Step 3



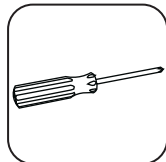
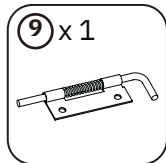
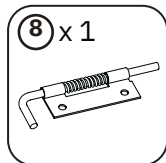
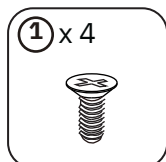
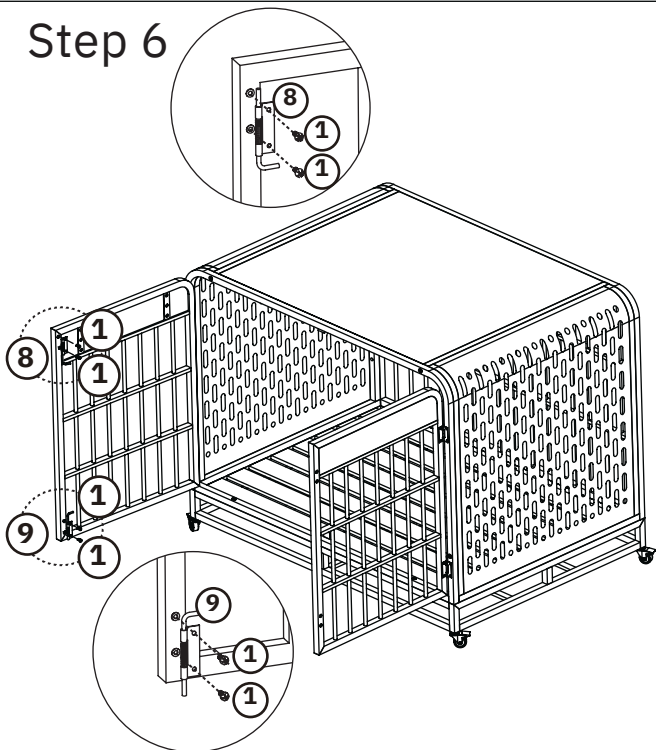
Step 4



Step 5



Step 6

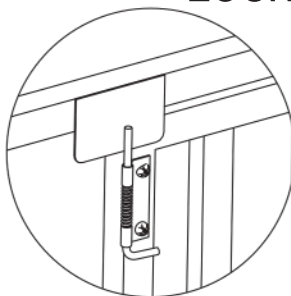


Step 7

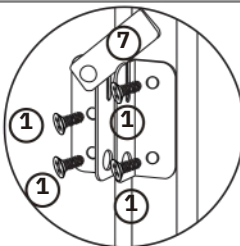
Unlocked



Locked



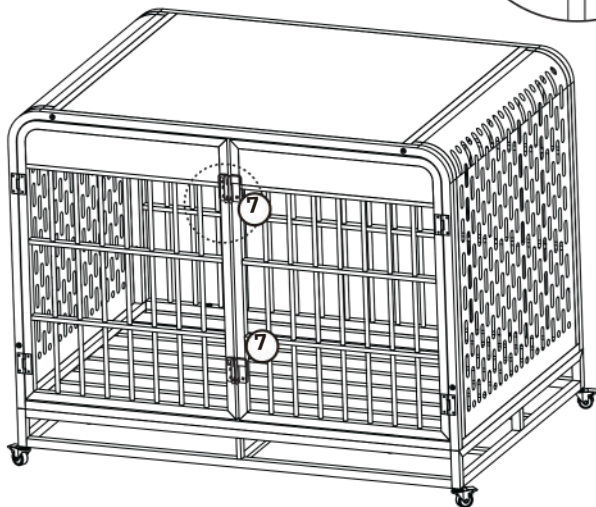
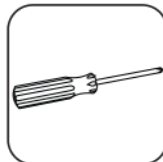
Step 8



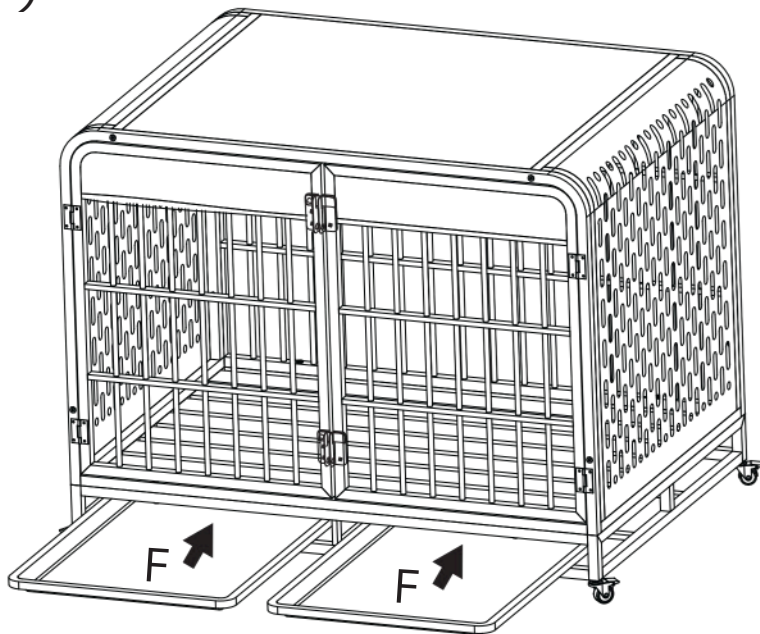
① x 8



⑦ x 2



Step 9



Step 10

Locked

