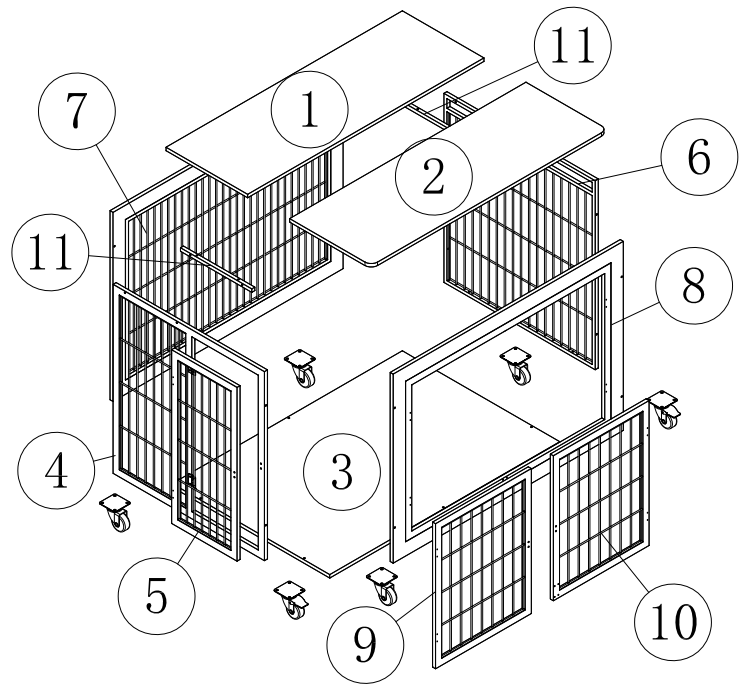
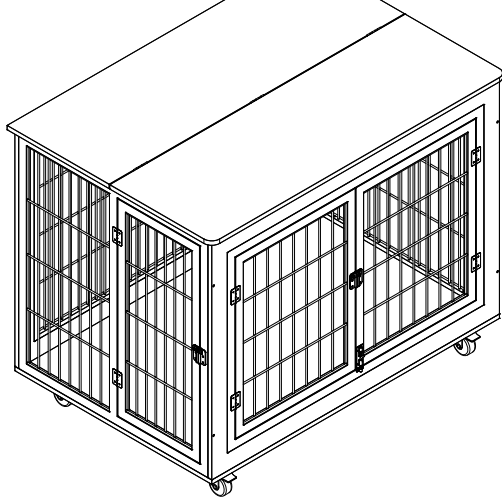
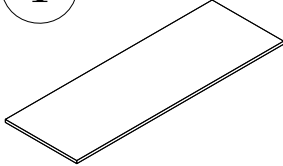
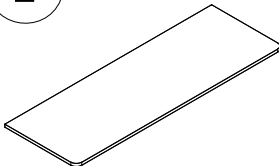
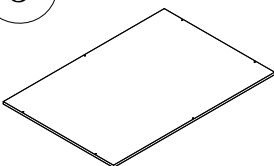
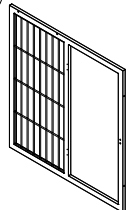

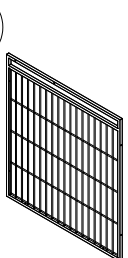
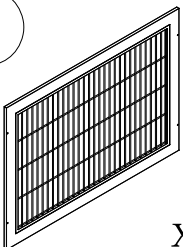
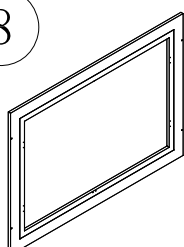
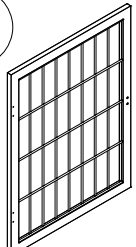
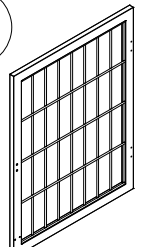
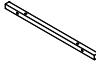




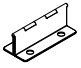
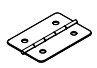

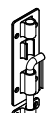
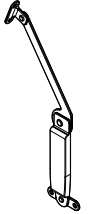






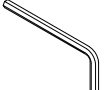
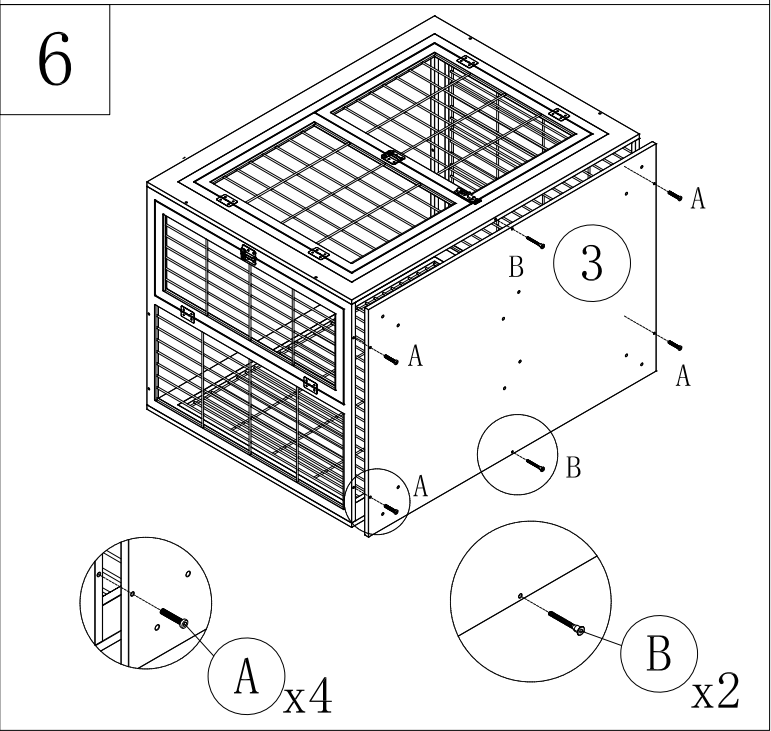
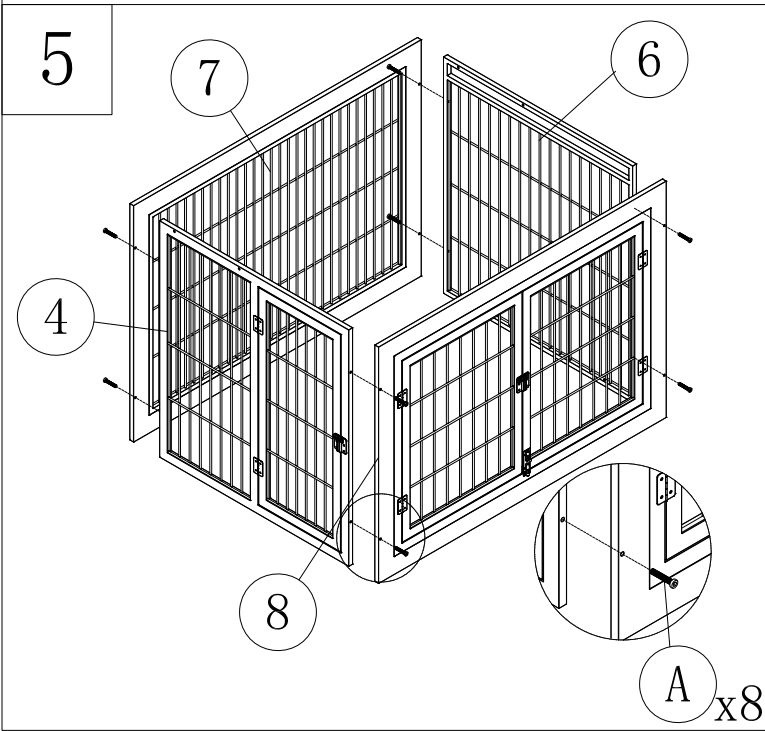
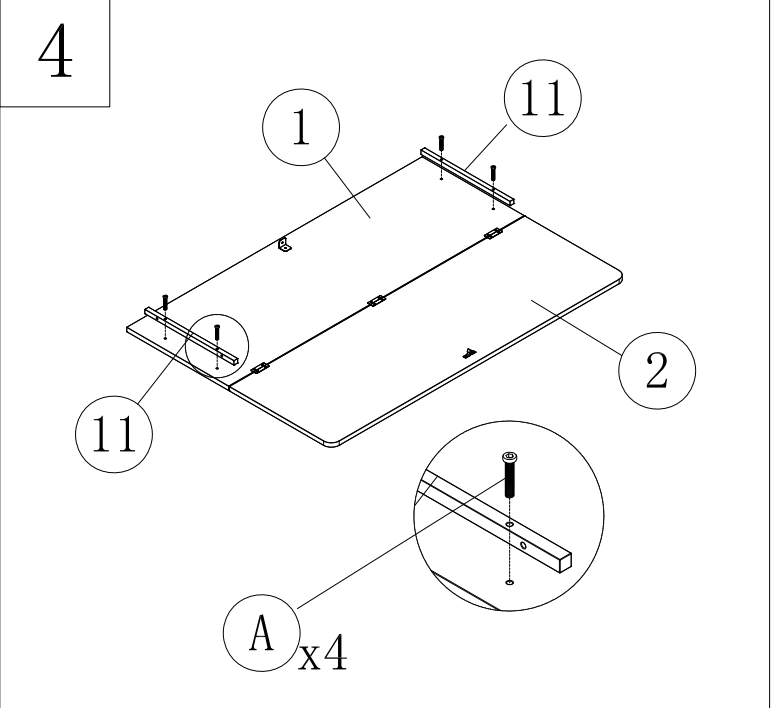
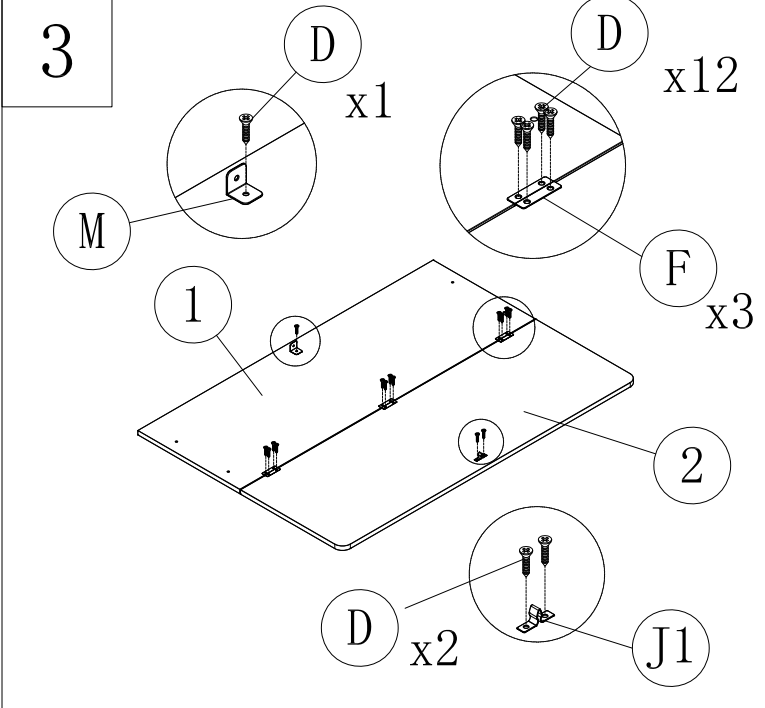
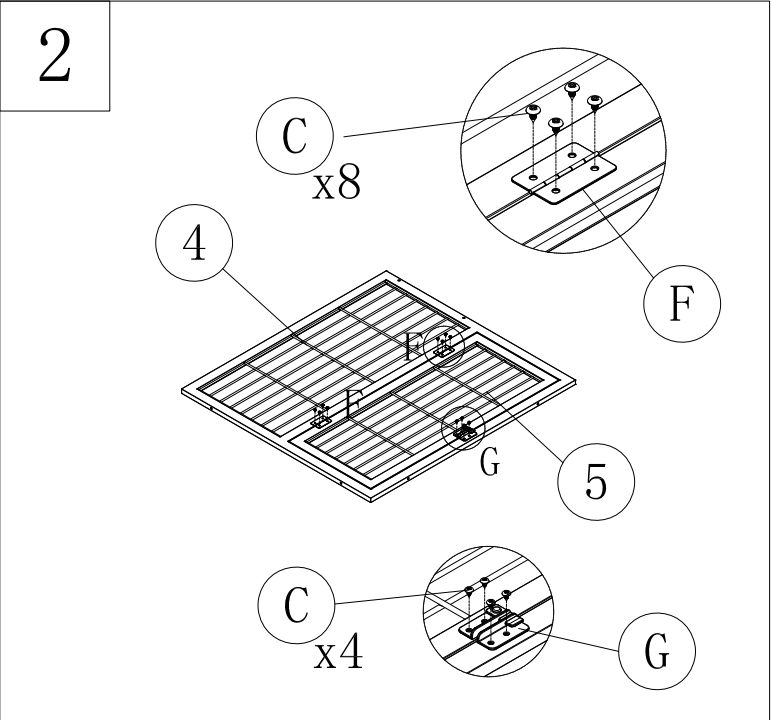
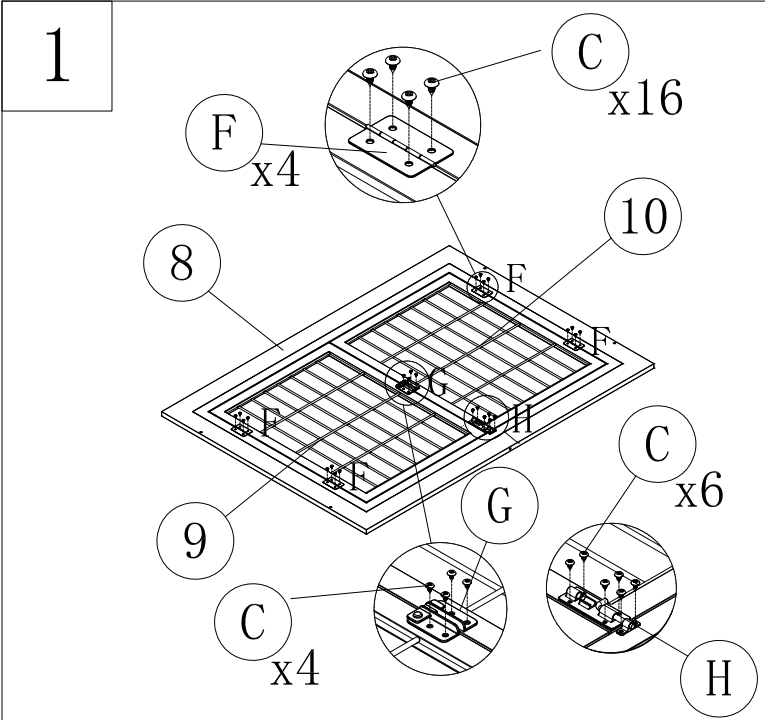


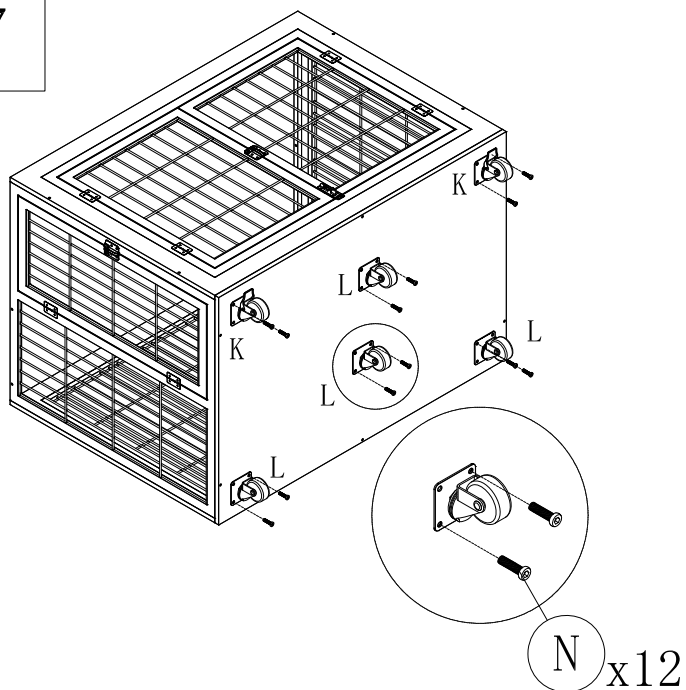
Specification



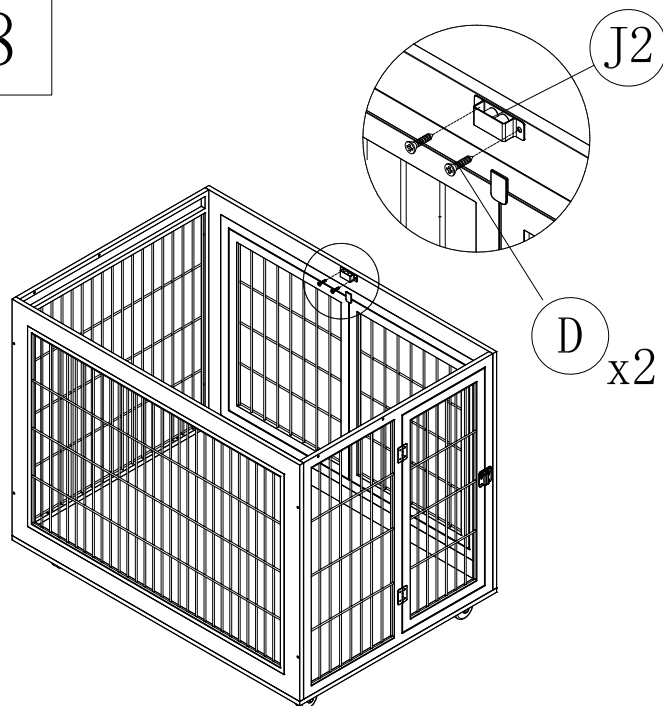
 x1	 x1	 x1	 x1	 x1	
 x1	 x1	 x1	 x1	 x1	
 x2	 M6*25 x20	 $\phi 4*48$ x2	 $\phi 4*10$ x40	 $\phi 4*12$ x20	
 x3	 x6	 x2	 x1	 x1	
 J1  J2 x1	 x2	 x4	 x1	 M6*12 x12	 Tool x1



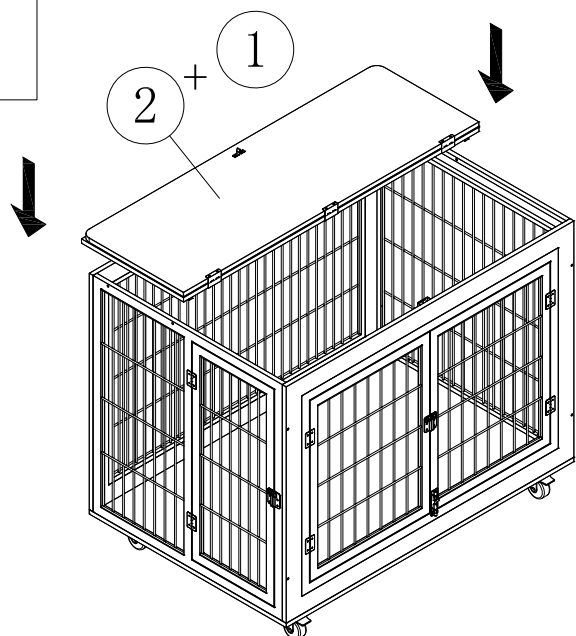
7



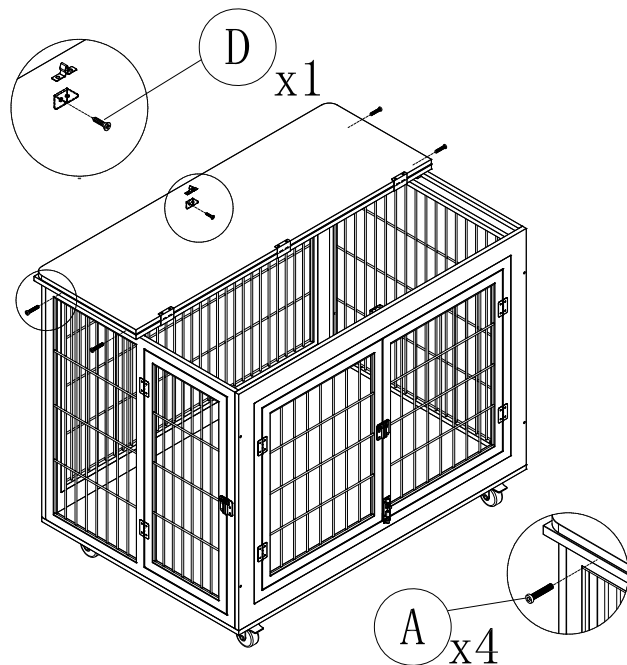
8



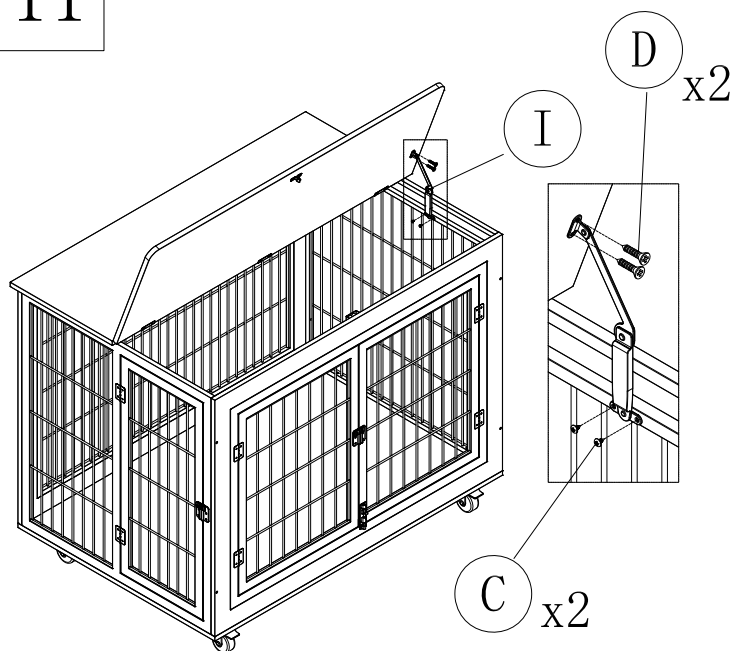
9



10



11



12

